



Producer: **Copeland**
 Line: **ZF**
 Model: **ZF40K4E-TWD**
 Cooling capacity [kW]: **20.25**
 Displacement [m³/h]: **35.6**
 Refrigerant: **R22, R404A**
 Capacity control: **None**
 Power supply: **400V/3Ph/50Hz**

Data

Technical data

Displacement	[m ³ /h]	35.6
Oil charge	[l]	4.14
Oil type		POE RL32-3MAF
Internal free volume	[dm ³]	20.2
Net weight	[kg]	103.00
Gross weight	[kg]	110.00

Electrical data and limits

Power supply		400V/3Ph/50Hz
Maximum continuous current	[A]	25.1
Locked rotor amperage	[A]	167.0
Motor resistance main	[Ω]	0.83
Maximum suction pressure	[bar]	22.6
Maximum discharge pressure	[bar]	32.0

Dimensions

Injection tube diameter	[inch]	1/4
Suction connection thread diameter	[inch]	1 3/4
Discharge connection thread diameter	[inch]	1 1/4
Length	[mm]	316
Height	[mm]	532
Width	[mm]	368

Other

Approved refrigerants	R22, R404A
Allowed oil types	POE RL32-3MAF, POE MOBIL EAL Arctic 22 CC
Capacity control	None
Protection rating	IP54 (IEC34)

Performance

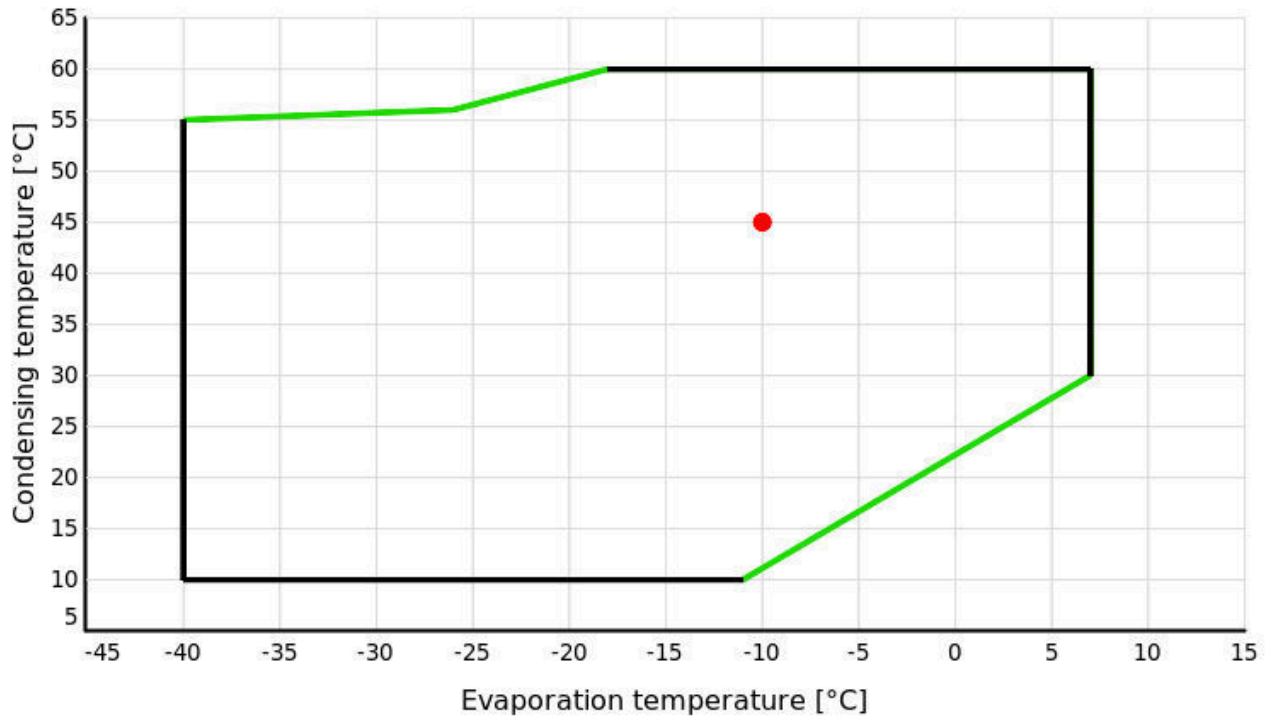
Nominal conditions: refrigerant: R404A, evaporation: -10°C (dew point), condensation: 45°C (dew point), superheating: 10K, subcooling: 0°C


Cooling capacity

		Evaporation temperature [°C]										
		-40	-35	-30	-25	-20	-15	-10	-5	0	5	7
Condensation temperature [°C]	10	8.75	11.27	14.28	17.86	22.09	27.07					
	15	8.27	10.69	13.55	16.96	20.98	25.70	31.20				
	20	7.79	10.09	12.81	16.03	19.84	24.31	29.52	35.56			
	25	7.30	9.49	12.06	15.09	18.66	22.87	27.79	33.50	40.09		
	30	6.79	8.86	11.27	14.10	17.45	21.39	26.01	31.39	37.62	44.75	47.88
	35	6.26	8.20	10.44	13.08	16.19	19.85	24.16	29.21	35.07	41.82	44.79
	40	5.70	7.50	9.57	12.00	14.86	18.25	22.25	26.95	32.44	38.80	41.61
	45	5.10	6.76	8.65	10.86	13.48	16.58	20.25	24.60	29.71	35.68	38.33
	50	4.45	5.96	7.67	9.66	12.01	14.82	18.17	22.16	26.89	32.45	34.94
	55	3.75	5.10	6.62	8.38	10.47	12.97	15.99	19.61	23.95	29.11	31.43
	60						11.03	13.70	16.94	20.88	25.63	27.78

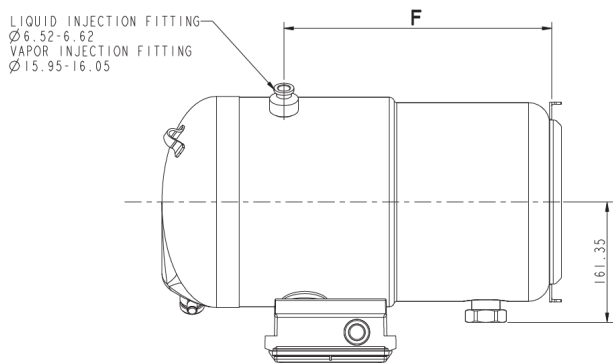
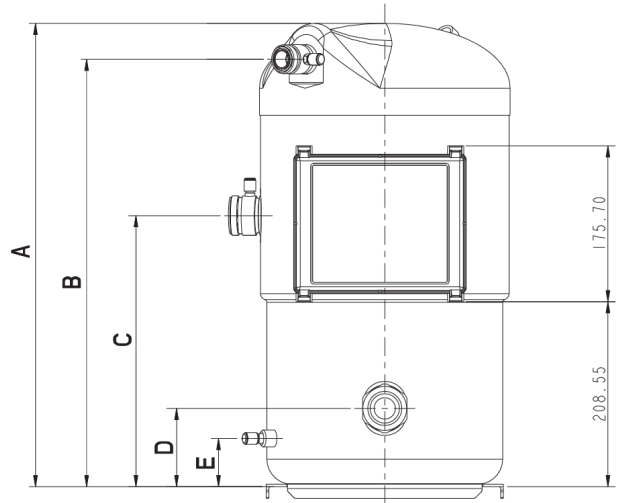
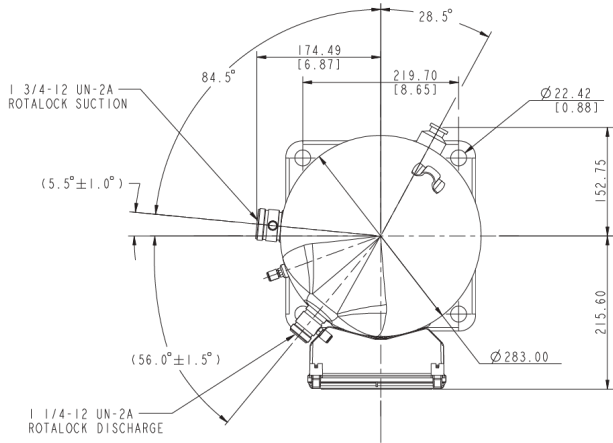
Power consumption

		Evaporation temperature [°C]										
		-40	-35	-30	-25	-20	-15	-10	-5	0	5	7
Condensation temperature [°C]	10	4.14	4.39	4.66	4.98	5.33	5.71					
	15	4.52	4.78	5.06	5.38	5.73	6.11	6.52				
	20	4.94	5.22	5.52	5.84	6.19	6.56	6.96	7.39			
	25	5.40	5.70	6.02	6.35	6.71	7.08	7.48	7.89	8.33		
	30	5.90	6.23	6.57	6.92	7.29	7.67	8.06	8.47	8.89	9.33	9.51
	35	6.44	6.80	7.17	7.54	7.92	8.31	8.71	9.11	9.53	9.95	10.13
	40	7.02	7.41	7.81	8.20	8.60	9.01	9.41	9.82	10.23	10.65	10.82
	45	7.62	8.06	8.49	8.92	9.34	9.76	10.18	10.60	11.01	11.42	11.58
	50	8.26	8.75	9.22	9.68	10.13	10.57	11.01	11.43	11.85	12.26	12.43
	55	8.94	9.47	9.98	10.48	10.97	11.44	11.89	12.33	12.76	13.18	13.34
	60						12.35	12.83	13.29	13.74	14.16	14.32

Application range**Legend**

 Suction gas temperature: 25°C, liquid injection

Dimensions



Dimensions

Dimension A	[mm]	532,4
Dimension B	[mm]	491,9
Dimension C	[mm]	305,6
Dimension D	[mm]	88,4
Dimension E	[mm]	54,5
Dimension F	[mm]	366,4